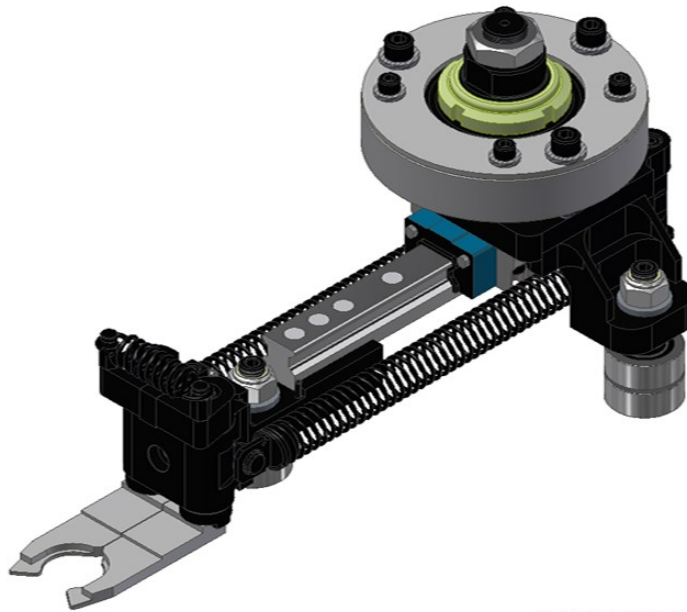


Product Bulletin

Product: 10268131 Transfer Arm Upgrade S2

Description: XL Engineering has developed a Transfer Arm Upgrade for the Series 2 machines that incorporates several unique features. We've designed a built-in adjustment control for in-machine height adjustments *without the use of peelable shims!* The main support is built from a ridged modular design that is a 20 percent increase in strength over the OEM. It utilizes many of the standard components for reduced inventory and incorporates a four row roller lube-free linear bearing that has proven to run up to 36 months with no additional lubrication. All of these features along with our proven durable Ball Bearing Head 10268077 and this is a winning combination at a competitive price.



SHOWN WITH OPTIONAL GRIPPERS

Offering: Also see 10268132 Linear Support Upgrade and 10388059 Check Fixture

6960 Hammond Avenue SE Dutton, MI 49316
(t) 616.656.0324 (f) 616.656.0326 email: sales@xl-engineering.com

Sidel® & SBO® are the registered trademarks of Sidel. XLE is not a licensee of Sidel nor have XLE parts been approved or authorized by Sidel.